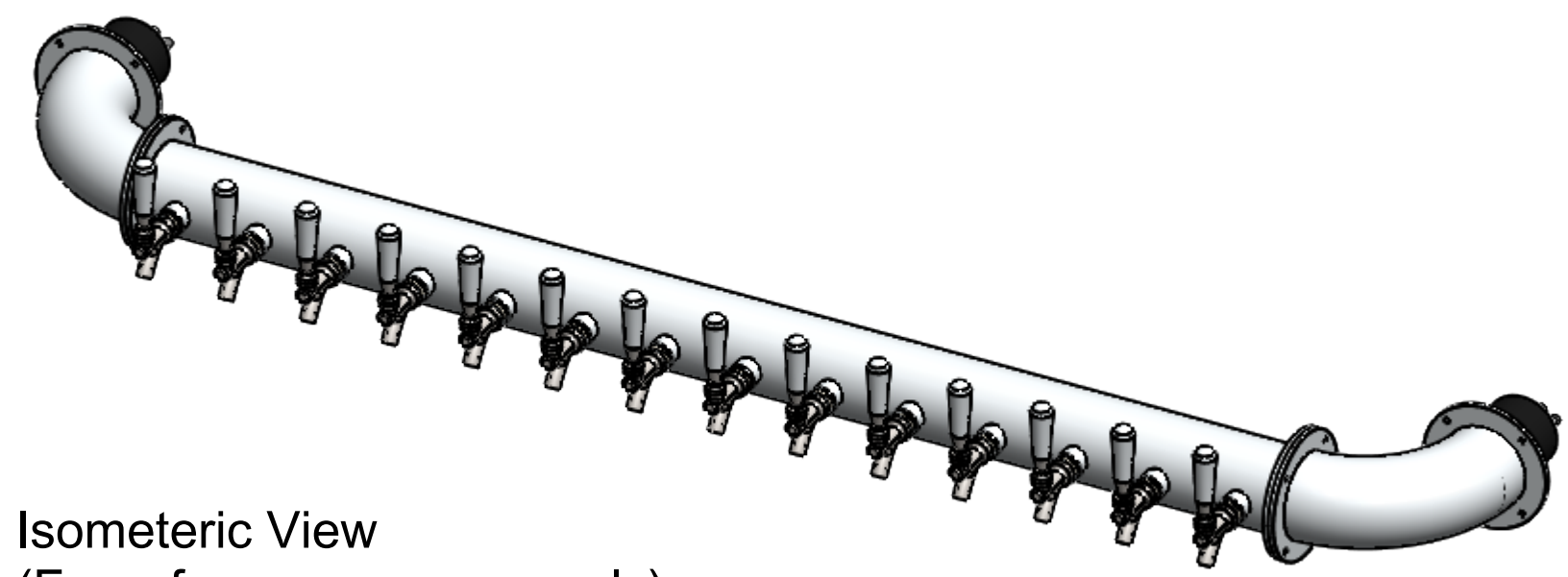
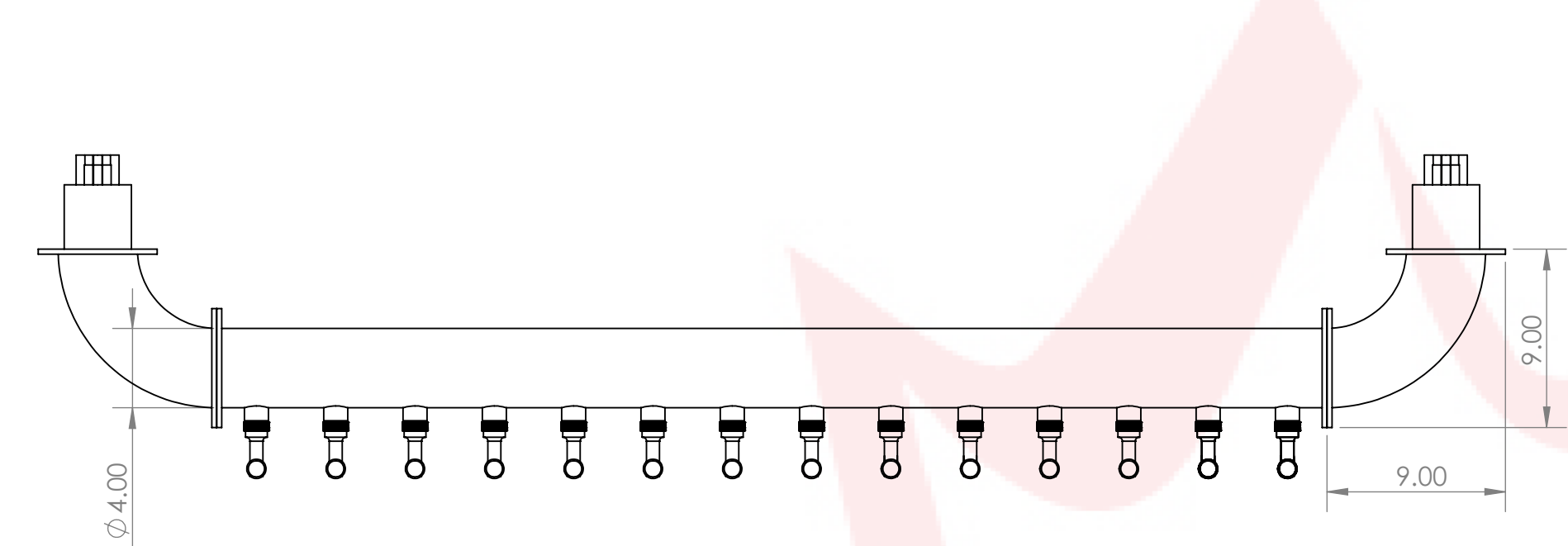
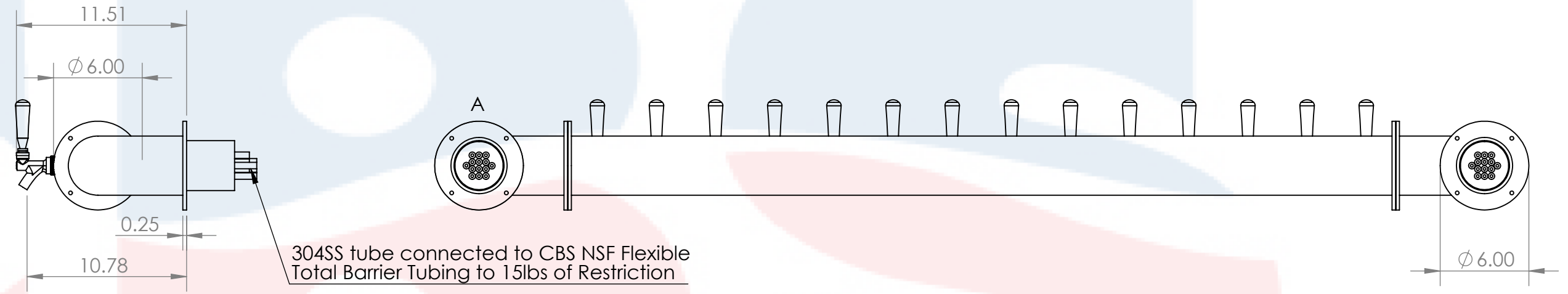
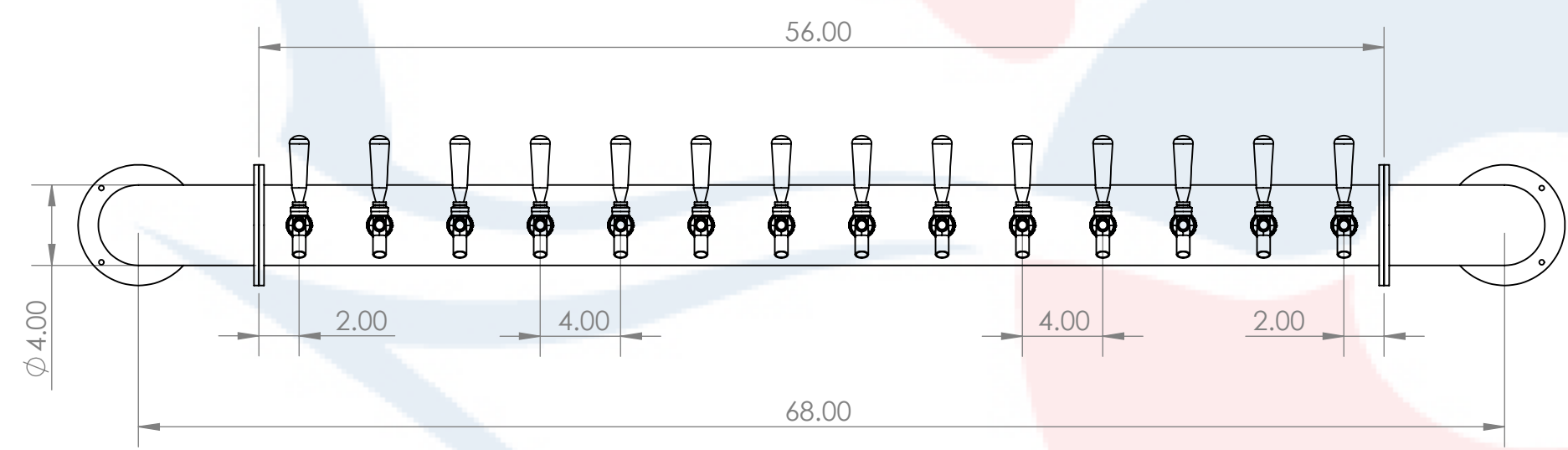


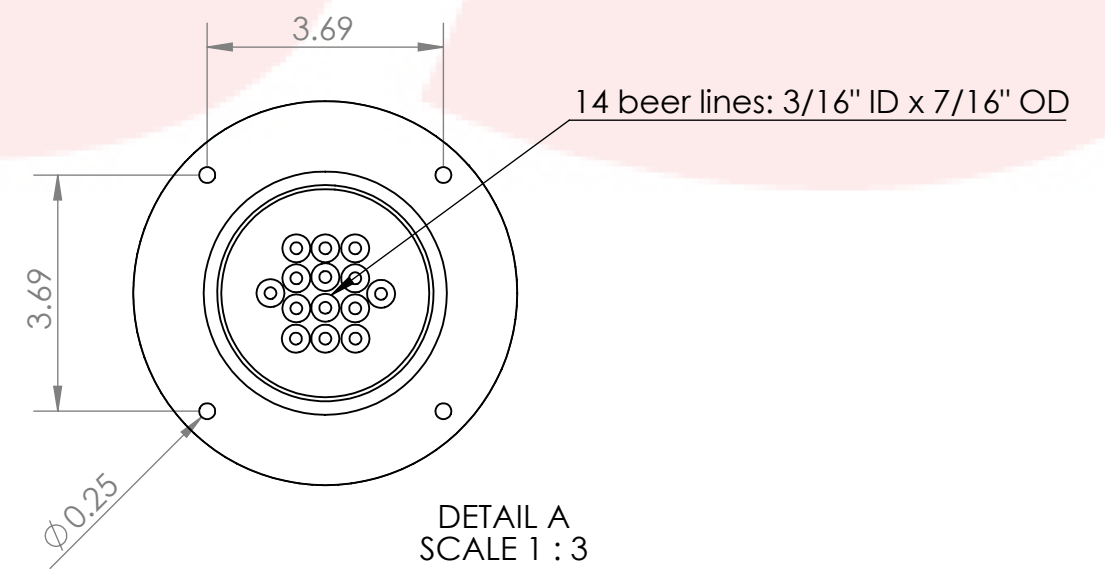
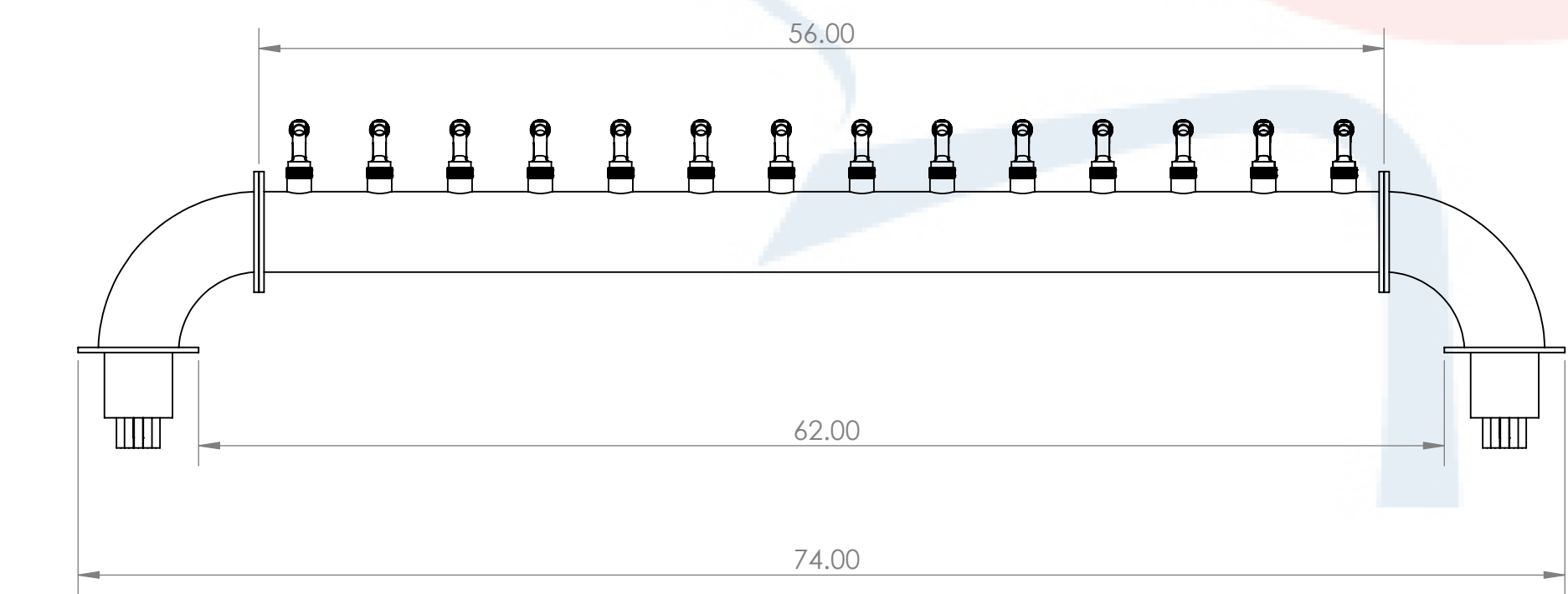
A B C D E F G H I J K L M N O P Q R S T U V W X



Isometric View
(For reference purpose only)



304SS tube connected to CBS NSF Flexible Total Barrier Tubing to 15lbs of Restriction



DETAIL A
SCALE 1 : 3



Name		Date		Title:	
Drawn by:	Canadian Beverage Supply Inc.	11/21/2022		14 Tap Lions Gate WM Tower	
Approved by:	VP Sales			Part Number: BB102645-14SS	
Material:	304 SS	Finish:	Polished SS	Revision:	
Unless otherwise mentioned, dimensions are inches				SCALE: 1:8	

A B C D E F G H I J K L M N O P Q R S T U V W X